

TH955

Telehandlers



**WACKER
NEUSON**
all it takes!



Reaching high

The TH955 telehandler from Wacker Neuson, with an 8.75-meter stacking height, is the specialist you need to call on when it's time to aim high. Low fuel consumption at high torque and numerous innovative assistance systems make the largest Wacker Neuson Telehandler TH955 ready to take on the hardest applications in day-to-day operations on the job site.

- 156 PS Deutz engine, exhaust emissions level IV for maximum performance
- Automatic bucket return system for more rapid work cycles
- Infinitely variable drive system ecospeedPro
- 5.5-ton payload
- Increased stability through leveling and oscillating axle lock (optional)

TH955 Technical specifications

Operating data

Lift height (max.)	8,750 mm
Weight	11,500 kg
Turning radius over tires	4,415 mm

Engine / Motor

Engine / Motor manufacturer	Deutz
Engine performance	115 kW
Displacement	4,038 cm ³
Emission standards stage	IV
Sound emission at the operator ear	78 dB(A)

Power transmission

Traction drive	Wide angle hydrostat
Speed (Standard)	0-20 km/h
Speed (option)	0-30 / 0-40 km/h
Axles	Planetary-steering drive axle
Total pivoting angle	20 °

Steering and operating hydraulics

Duty pump	Load Sensing
Flow rate	187 l/min
Pressure	260 bar

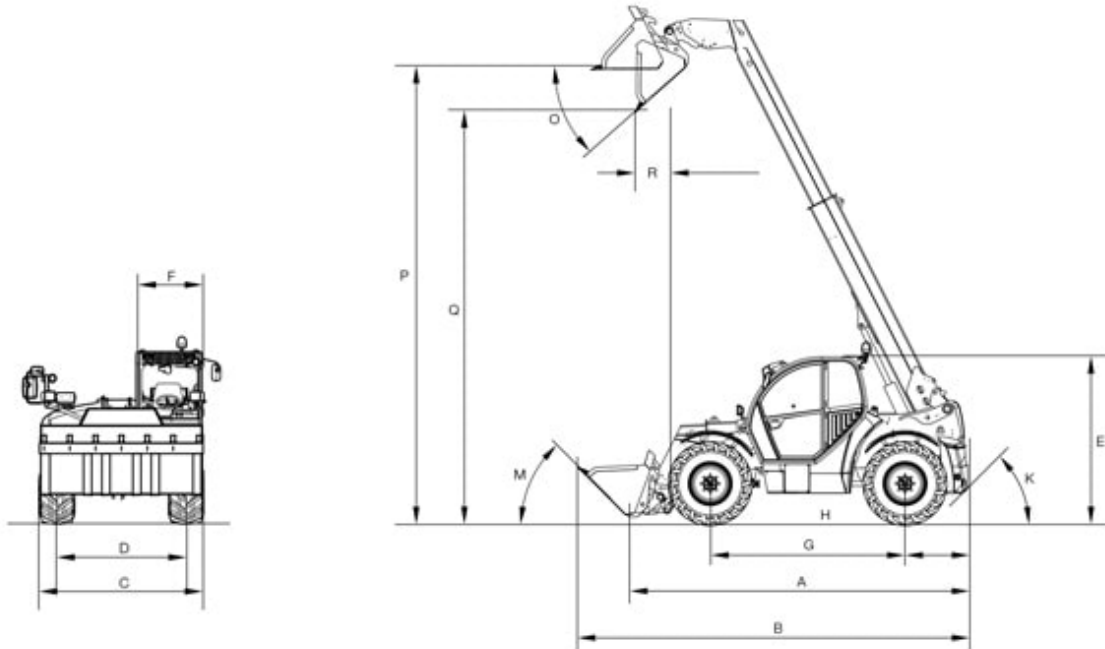
Kinematics

Bucket capacity	1.2 m ³
Total rotation angle of the tool carrier	152 °
Payload (max. LSP 500 mm)	5,500 kg
Payload (max. LSP 600 mm)	4,990 kg
Lift height at max. load	8,750 mm
Payload at max. lifting height	1,300 kg
Payload at max. reach	2,200 kg
Range at max. load	2,400 mm
Range (max.)	4,790 mm

Filling capacities

Fuel tank capacity	180 l
Hydraulic oil tank	200 l

TH955 Dimensions



A	Length incl. tool frame	5,890 mm
B	Length with standard bucket	6,690 mm
C	Width with standard tires	2,500 mm
E	Height to cabin roof	2,570 mm
F	Width cabin	990 mm
M	Tilt-in angle bucket	45 °
O	Dump angle bucket	41 °
P	Overhead loading height with standard bucket - extended	8,498 mm
R	Dump reach with standard bucket - extended	63 mm

Please note: that product availability can vary from country to country. It is possible that information / products may not be available in your country. More detailed information on engine power can be found in the operator's manual; the stated power may vary due to specific operating conditions. Subject to alterations and errors excepted. Applicable also to illustrations.

Copyright © 2021 Wacker Neuson SE.