

DW15e

Wheel Dumpers



**WACKER
NEUSON**
all it takes!



The electric Wheel Dumper with all-wheel drive

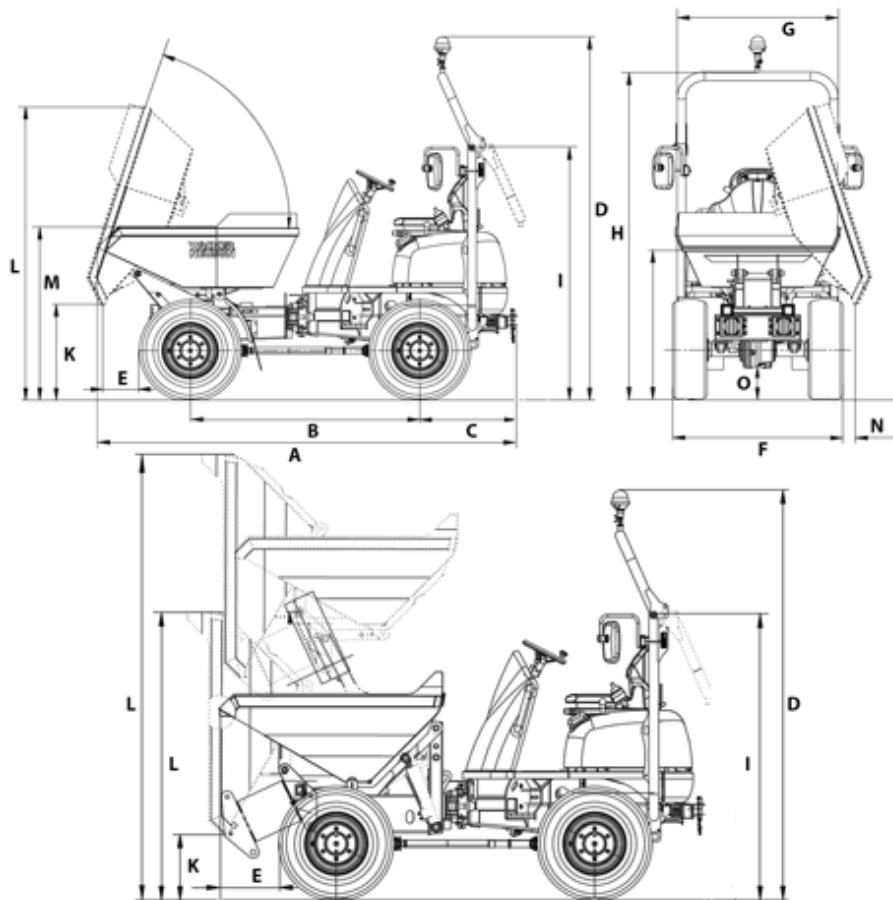
Emission-free thanks to electric drive, but with the same performance parameters as the conventional brother 1501, this is the zero emission wheel dumper DW15e. The electric drive makes this machine the ideal material handling support, wherever no exhaust or noise emissions is wanted or allowed, such as in inner city areas or building interiors. The four-wheel drive makes the DW15e a perfect partner for uneven or steep terrain. The articulated joint adapts to any unevenness and thus provides the necessary stability. A folding roll bar and the small dimensions make it unbeatable when it comes to transport.

- Small dimensions and high performance, equivalent to our conventional Dumper 1501
- Very low noise emissions - ideal for noise sensitive areas
- Two single electric engines, one for the drive system and one for the work hydraulics
- Energy recovery during braking and downhill driving
- On the safe side, with the optionally available backup alarm, rotating beacon and exterior mirrors

DW15e Technical specifications

| | High tip skip | Swivel tip skip |
|-------------------------------------------------|-----------------------|-----------------------|
| Operating data | | |
| Payload kg | 1,500 | 1,500 |
| Shipping weight max. kg | 1,950 | 1,900 |
| Operating weight max. kg | 3,525 | 3,475 |
| Skip capacity level I | 650 | 650 |
| Skip capacity heaped I | 800 | 800 |
| Skip capacity water measure I | 420 | 325 |
| Engine / Motor | | |
| Engine performance acc. to ISO 3046/1 kW | 9 | 9 |
| Lifting motor - capacity kW | 9 | 9 |
| Engine RPM rpm | 2500 | 2500 |
| Travel drive motor - capacity kW | 6.5 | 6.5 |
| Engine RPM rpm | 6000 | 6000 |
| Travel speed max. km/h | 14 | 14 |
| Pendulum angle ° | 15 | 15 |
| Turning radius mm | 3,650 | 3,650 |
| L x W x H mm | 3,300 x 1,322 x 2,550 | 3,300 x 1,322 x 2,550 |
| L x W x H mm | 3,300 x 1,322 x 2,550 | 3,300 x 1,322 x 2,550 |
| Steering pump | gear pump | gear pump |
| Flow rate l/min | 10 | 10 |
| Operating pressure bar | 140 | 140 |
| Duty pump | gear pump | gear pump |
| Flow rate l/min | 16.8 | 16.8 |
| Operating pressure bar | 175 | 175 |
| Sound level (LwA) dB(A) | 86.2 | 86.2 |
| Specified sound pressure level LpA Kabine dB(A) | 58 | 58 |
| Battery | | |
| Type of battery | 48V 3 TCSV 300 | 48V 3 TCSV 300 |
| Battery weight (± 5 %) kg | 470 | 470 |
| Rated capacity K5 Ah | 300 | 300 |
| Charging time h | 8 | 8 |
| Runtime min. h | 3.5 | 3.5 |
| Runtime max. h | 6.5 | 6.5 |
| Battery V | 48 | 48 |

DW15e Dimensions



| | | High tip skip | Swivel tip skip |
|---|----------------------------------|---------------|-----------------|
| A | Overall length | 3,300 mm | 3,214 mm |
| B | Wheelbase | 1,755 mm | 1,755 mm |
| C | Rear overhang | 746 mm | 746 mm |
| D | Height | 2,777 mm | 2,777 mm |
| E | Dumping distance | 375 mm | 296 mm |
| F | Width | 1,304 mm | 1,304 mm |
| G | Skip width | 1,198 mm | 1,260 mm |
| H | Height ROPS | 2,535 mm | 2,535 mm |
| I | Height ROPS tipped | 1,956 mm | 1,956 mm |
| K | Dump height max. | 445 mm | 740 mm |
| L | Skip height | 1,966 mm | 2,276 mm |
| L | Skip height High tip skip raised | 3,038 mm | |
| M | Skip height | 1,308 mm | 1,181 mm |
| N | Dumping distance | | 118 mm |
| O | Ground clearance | 252 mm | 252 mm |
| - | Dump angle | | 72 ° |

Please note: that product availability can vary from country to country. It is possible that information / products may not be available in your country. More detailed information on engine power can be found in the operator's manual; the stated power may vary due to specific operating conditions. Subject to alterations and errors excepted. Applicable also to illustrations.
Copyright © 2021 Wacker Neuson SE.