



MINI ROCK GRAB

Mini Rock Grab is a versatile tool capable of lifting large rocks and positioning where desired.

Features:

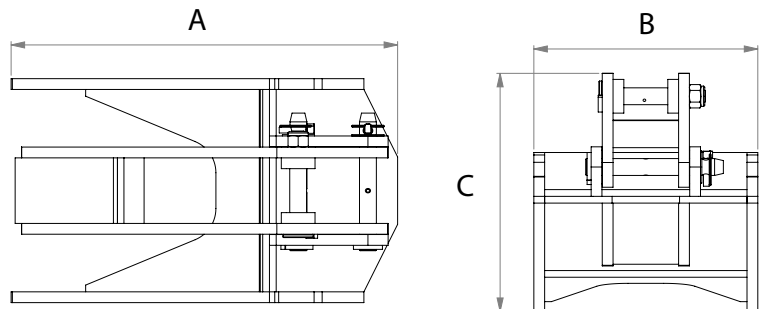
- Versatile tool capable of lifting heavy objects.
- 3 Tyne provide a stable grip on rounded objects.
- Ideal for landscapers building rock walls.
- Able to lift object from 160mm - 500mm in diameter.

Ideal Use:

Building Rock Walls, moving large items

Machine Suitability:

Mini Loaders and small skid steers



Rock Bucket and Rock Bucket with Grapple also available for Skid Steer Loaders and Tractors

Specification:	Mini Rock Grab - OK55323 (jaws only)
Weight:	85kgs
Length (Overall)	575mm
Height (overall)	332mm
Width (overall)	352mm
Tyne Length	400mm
Lifting Capacity	180kgs
Rock Diameter	160mm to 500mm

Please note: Order Code refers only to jaws, complete assembly requires OK55500 and OK55323.

Contact your local professional dealer or contact Digga direct

THE BEST DOWNUNDER

DIGGA

PHONE: 1300 2 DIGGA EMAIL: info@digga.com WEB: www.digga.com

QLD, NT
4 Octal Street
Yatala QLD 4207

NSW, ACT
20 Mckay Close
Wetherill Park NSW 2164

VIC, SA, TAS
27 Metcalf Street
Dandenong VIC 3175

WA
6/15 Yampi Way
Willetton WA 6155

