



## EZ17

Tracked Zero Tail Excavators



### Compactness in top form: EZ17

The EZ17 compact excavator is the best performance Zero Tail model in its class. The large volume diesel engine combined with LUDV (Load Sensing System) and the new cooling system promise high performance and efficiency. The compact and robust design ensures longer operating life. The EZ17 guarantees the perfect full 360-vision - upward as well as downward - and offers an extremely large field of vision.

- Best performance Zero Tail model in its class with a large volume diesel engine and LUDV (Load Sensing System).
- Zero tail swing for working in tight and confined spaces.
- New cooling system promise high performance also in high surrounding temperatures of up to 45 °C.
- Compact, robust design ensures longer operating life. •Extremely large field of vision through top window.



## Technical specifications

### Operating data

Shipping weight min.	1,595 kg
Operating weight min.	1,725 kg
Biting force max.	8.39 kN
Breakaway force max.	1,876 daN
Digging depth	2,330 mm
Dumping height max.	2,440 mm
Digging radius	3,900 mm
Superstructure slewing speed	9.4 1/min
L x W x H	3,585 x 990 x 2,360 mm

### Engine / Motor

Engine / Motor manufacturer	Yanmar
	3TNV76
Engine / Motor	Water-cooled 3-cylinder diesel engine
Displacement	1,116 cm <sup>3</sup>
RPM / speed	2,200 rpm
Engine performance output to ISO	13.4 kW
Battery	30 Ah
Tank capacity	22 l

### Engine / Motor type

### Hydraulic system

Flow rate	39.6 l/min
Operating pressure for working and traction hydraulics	240 bar
Operating pressure Slewing gear	150 bar
Hydraulic oil tank	21 l

### Wheel set

Travel speed max.	4.8 km/h
Gradeability	58 %
Chain width	230 mm
Ground clearance	160 mm

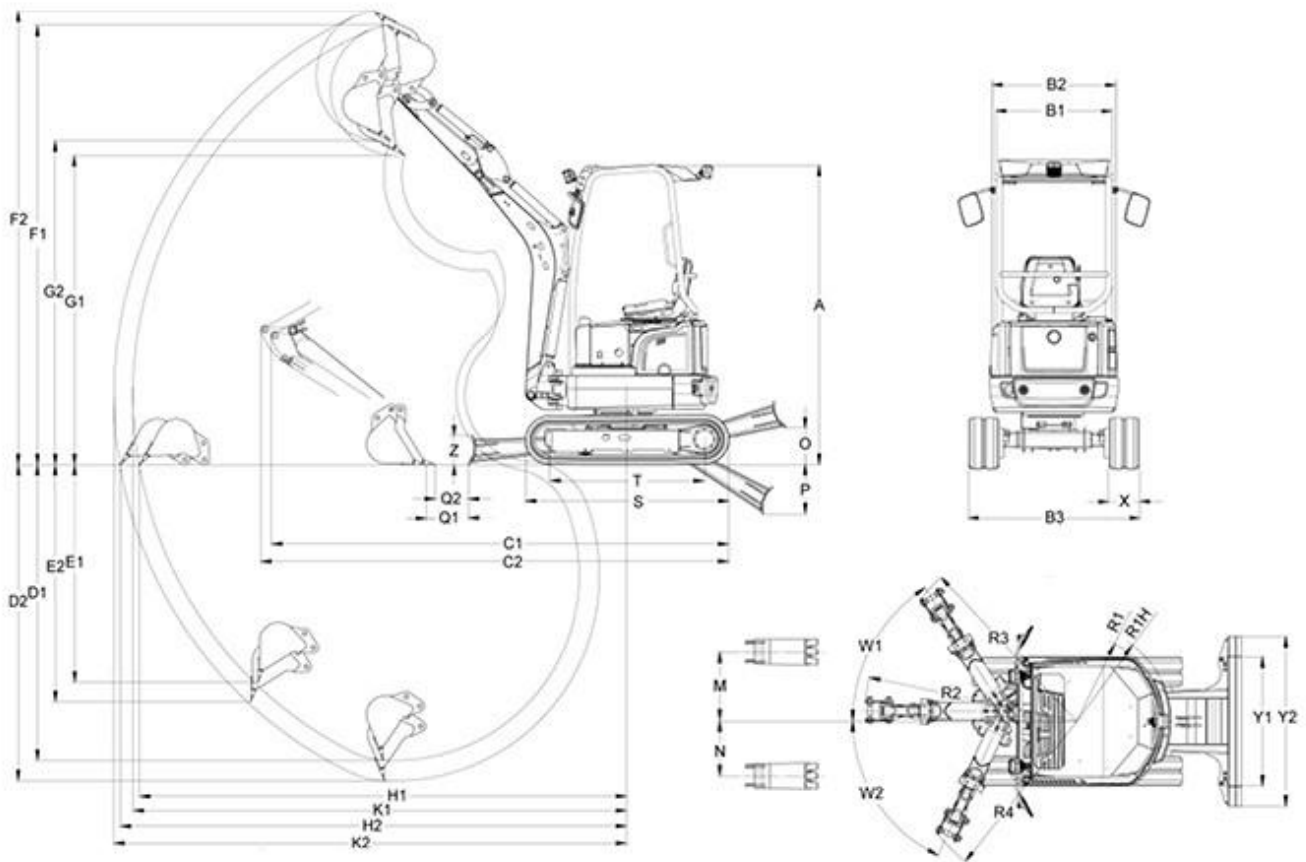
### Dozer Blade



Width	
Height	1,300 mm
	230 mm
Sound level	
Sound level (LwA) acc. to 2000/14/EC	93 dB(A)
Cabin - specified sound pressure level LpA acc. to ISO 6394	79 dB(A)



## Dimensions



<b>A</b>	Height mm	2,360
<b>B1</b>	Width of canopy mm	885
<b>B2</b>	Width of revolving superstructure mm	990
<b>B3</b>	Width Undercarriage width, retracted mm	1,300
<b>C1</b>	Transport length (short dipper arm) mm	3,585
<b>C2</b>	Transport length (long dipper arm) mm	3,550
<b>D1</b>	Digging depth Max. (short dipper arm) mm	2,330
<b>D2</b>	Digging depth Max. (long dipper arm) mm	2,490
<b>E1</b>	Insertion depth Max. vertical (short dipper arm) mm	1,715
<b>E2</b>	Insertion depth Max. vertical (long dipper arm) mm	1,865
<b>F1</b>	Insertion height Max. (short dipper arm) mm	3,465
<b>F2</b>	Insertion height Max. (long dipper arm) mm	3,580
<b>G1</b>	Dumping height Max. (short dipper arm) mm	2,440



<b>G2</b>	Dumping height Max. (long dipper arm) mm	2,550
<b>K1</b>	Digging radius Max. (short dipper arm) mm	3,900
<b>K2</b>	Digging radius Max. (long dipper arm) mm	4,050
<b>H1</b>	Range Max. span on the ground (short dipper arm) mm	3,850
<b>H2</b>	Range Max. span on the ground (long dipper arm) mm	4,000
<b>R1</b>	Rear swivel radius Min. mm	650
<b>M</b>	Arm displacement Max. boom offset to centre of bucket, right side mm	535
<b>N</b>	Arm displacement Max. boom offset to centre of bucket, left side mm	425
<b>O</b>	Lift height Max. dozer blade above ground mm	390
<b>P</b>	Scraping depth Max. dozer blade below ground mm	275
<b>S</b>	Length Total crawler mm	1,605
<b>W1</b>	Turning angle Max. right °	57
<b>W2</b>	Turning angle Max. left °	65
<b>Y1</b>	Width dozer blade mm	990
<b>Q1</b>	Distance bucket and depth dozer blade (short dipper arm) mm	332
<b>Q2</b>	Distance bucket and depth dozer blade (long dipper arm) mm	260
<b>R2</b>	Boom slewing radius center mm	1,625
<b>R3</b>	Boom slewing radius right mm	1,515
<b>R4</b>	Boom slewing radius left mm	1,370
<b>T</b>	Length Crawler, center to Turas guide wheel mm	1,225
<b>X</b>	Chain width mm	230
<b>Y2</b>	Width Dozer blade width with expansion mm	1,300
<b>Z</b>	Height Dozer blade mm	230

**Please note**

that product availability can vary from country to country. It is possible that information / products may not be available in your country. More detailed information on engine power can be found in the operator's manual; the stated power may vary due to specific operating conditions. Subject to alterations and errors excepted. Applicable also to illustrations.  
Copyright © 2015 Wacker Neuson SE.