



MINI ANGLE DOZER BLADE (ML-200)

The Digga Mini Angle Dozer Blade is a versatile attachment for dozing, levelling ground and general earthmoving works.

Features:

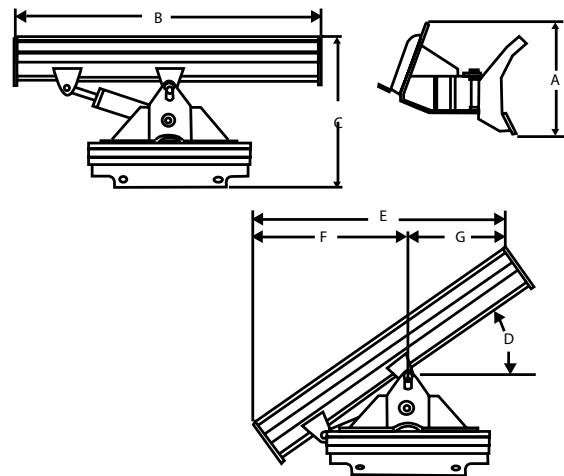
- 46" width available. (117cm)
- 30° left and right angle.
- Replaceable wear edge.
- 11° left and right tilt on Angle/Tilt model only.
 - ML-000381: suit dual remote machines
 - ML-000382: suit single remote machine
- (complete with Manual Hydraulic Diverter Valve)

Ideal Use:

Dozing, grading, levelling of material in earthworks, landscaping, road works and more.

Machine Suitability:

Mini Machines, Mini Loaders.



84" Dozer Blade also available



Specifications	
Height (A)	431mm
Width (B)	1193mm
Length (C)	558mm
Angle - Left & Right (D)	30°
Blade Width at Maximum Angle (E)	1016mm
Width from Centreline to Inside Edge @ Maximum Angle (F)	584mm
Width from Centreline to Outside Edge @ Maximum Angle (G)	393mm
Weight (kgs)	116kgs